

Reusable components for breathing circuits



VBM Medizintechnik GmbH



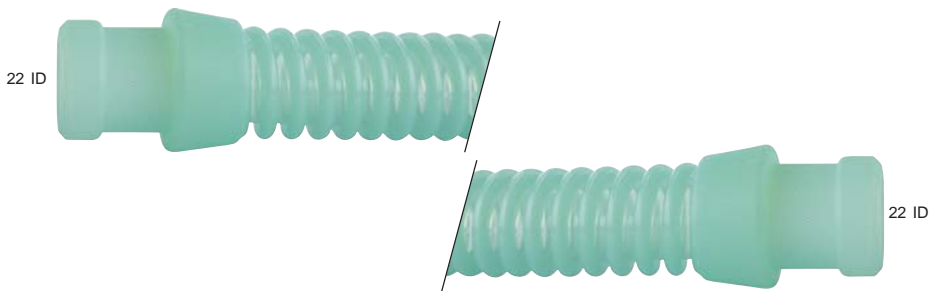
Respiration Tubings made of Silicone

19 mm Respiration Tubing

autoclavable up to 134°C

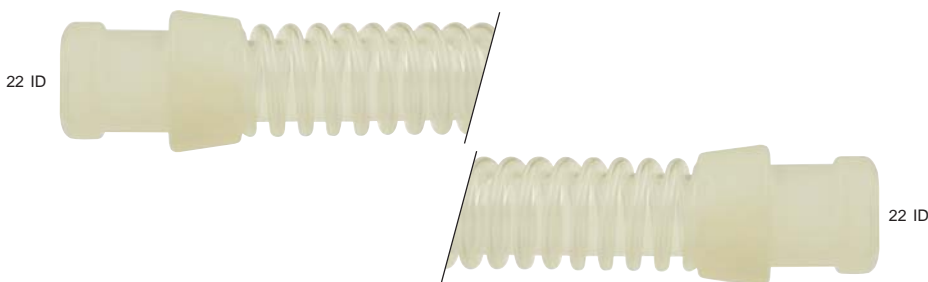
Color: light green (coil), clear (tube)

Length	REF	Box
30 cm	66-22-030	1
40 cm	66-22-040	1
60 cm	66-22-060	1
80 cm	66-22-080	1
90 cm	66-22-090	1
110 cm	66-22-110	1
130 cm	66-22-130	1
150 cm	66-22-150	1
180 cm	66-22-180	1
200 cm	66-22-200	1



Color: clear (coil and tube)

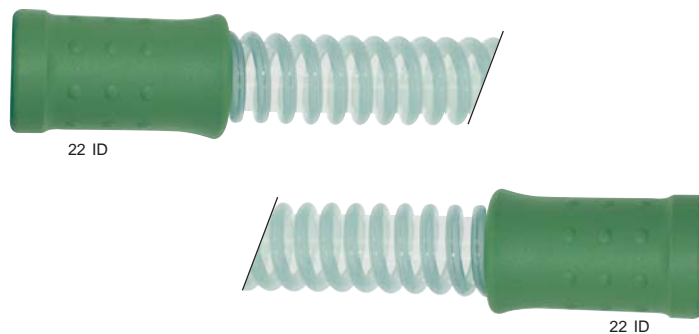
Length	REF	Box
30 cm	66-22-030tr	1
40 cm	66-22-040tr	1
60 cm	66-22-060tr	1
80 cm	66-22-080tr	1
90 cm	66-22-090tr	1
110 cm	66-22-110tr	1
130 cm	66-22-130tr	1
150 cm	66-22-150tr	1
180 cm	66-22-180tr	1
200 cm	66-22-200tr	1



16 mm "Lightweight Tubing" made of Silicone

Color: light green (coil), clear (tube), autoclavable up to 134°C

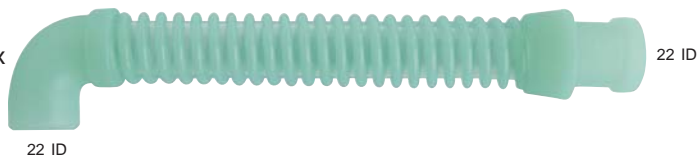
Length	REF	Box	
30 cm	69-16-030	1	- light weight due to smaller tube, coil and cuffs
45 cm	69-16-045	1	
60 cm	69-16-060	1	- high stability
90 cm	69-16-090	1	
110 cm	69-16-110	1	- longer lasting than autoclavable plastic tubings
130 cm	69-16-130	1	
150 cm	69-16-150	1	
180 cm	69-16-180	1	
200 cm	69-16-200	1	



19 mm Respiration Tubing with angled cuff made of Silicone

Color: light green (coil), clear (tube), autoclavable up to 134°C

Length	REF	Box
25 cm	66-22-925	1
40 cm	66-22-940	1



Catheter Mount Tubing, made of Silicone

with right angled swivel connector „Double Swivel“ with 5 mm bronchoscope/suction cap autoclavable up to 134°C

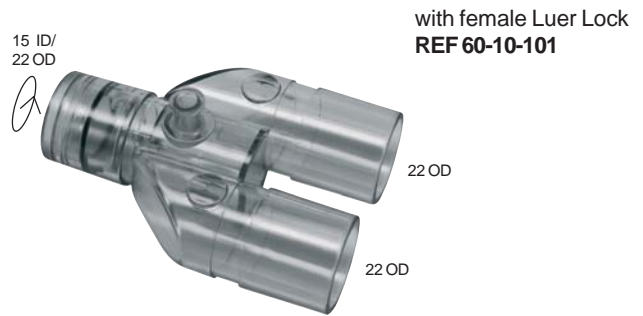
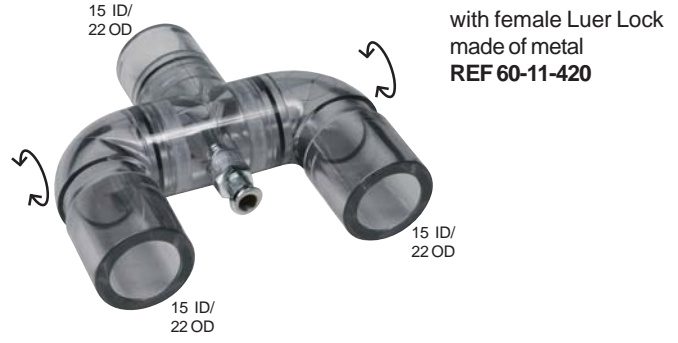
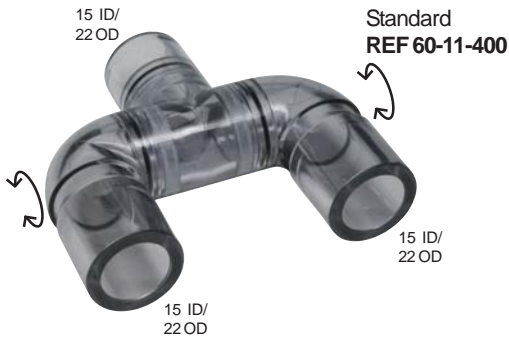
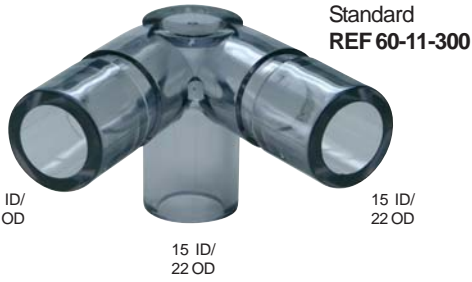
REF 65-68-130 Box 10



Right Angled Y-Connectors

autoclavable up to 134°C, Material: PSU

Box 10

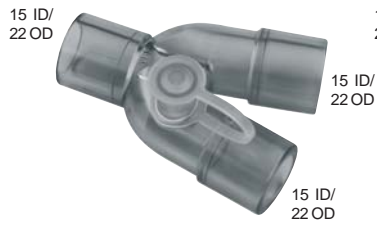
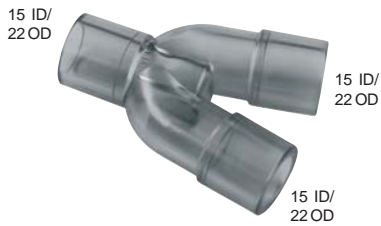


Standard
REF 60-11-200

with connection for pressure
measuring (6,0 mm ID)
REF 60-11-202

with connection for temperature
probes (7,6 mm I.D.)
REF 60-11-203

with connection for pressure
measuring (6,0 mm I.D.) and
temperature probes (7,6 mm I.D.)
REF 60-11-204



T-Connectors

autoclavable up to 134°C, Material: PSU

Box 10



Rebreathing Bags made of Silicone

clear, with 22 mm cuff and loop, autoclavable up to 134°C

Size	Standard	with 5 mm hole	with tube and cap	Box
500 ml	66-00-011	66-00-441	66-00-041	1
1000 ml	66-00-015	66-00-445	66-00-045	1
1500 ml	66-00-012	66-00-442	66-00-042	1
2300 ml	66-00-013	66-00-443	66-00-043	1
3000 ml	66-00-014	66-00-444	66-00-044	1



Watertraps

Container: 55ml
autoclavable up to 134°C, Material: PSU
Box 6

Respirator Watertrap
REF 66-40-511

REF 66-40-500



REF 66-40-510



REF 66-40-520



Connectors

autoclavable up to 134°C, Material: PSU
Box 10

REF 60-12-110



REF 60-12-200



Right Angled Connector
REF 60-12-000

Respiration Tubings for Pediatric made of Silicone

9 mm Respiration Tubing

Color: light green (coil), clear (tube), autoclavable up to 134°C

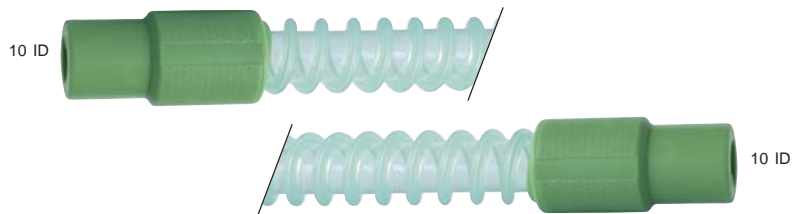


Length	with 10 mm at both ends	with 10 mm/22 mm cuffs	with 22 mm at both ends	Box
25 cm	66-10-025	66-11-025	66-12-025	1
45 cm	66-10-045	66-11-045	66-12-045	1
60 cm	66-10-060	66-11-060	66-12-060	1
85 cm	66-10-085	66-11-085	66-12-085	1
110 cm	66-10-110	66-11-110	66-12-110	1
130 cm	66-10-130	66-11-130	66-12-130	1
150 cm	66-10-150	66-11-150	66-12-150	1
170 cm	—	66-11-170	66-12-170	1
200 cm	66-10-200	66-11-200	66-12-200	1

9 mm “Lightweight Tubings“ made of Silicone

Color: light green (coil), clear (tube), autoclavable up to 134°C

Length	REF	Box	
25 cm	69-10-025	1	- light weight due to thinner coil
45 cm	69-10-045	1	- high stability
60 cm	69-10-060	1	
90 cm	69-10-090	1	- longer lasting than autoclavable plastic tubings
110 cm	69-10-110	1	
130 cm	69-10-130	1	
150 cm	69-10-150	1	
170 cm	69-10-170	1	
200 cm	69-10-200	1	



Anesthetic System for Pediatric

reusable, autoclavable up to 134°C

consisting of:

- 2 x 9,0 mm Silicone Respiration Tubing REF 66-11-110
- 1 x 9,0 mm Silicone Respiration Tubing REF 66-12-110
- 1 x Right Angled Y-Connector REF 60-20-100
- 1 x Silicone Rebreathing Bag, 500 ml REF 66-00-011
- 1 x Straight Connector REF 60-12-110

REF 62-11-200 Box 1



Y-Connectors for Pediatric

autoclavable up to 134°C, Material: PSU, Box 10



15 ID

Standard
REF 60-20-600

15 ID/
22 OD



15 ID

with connection for pressure
measuring (6,0 mm ID)

REF 60-20-602

15 ID/
22 OD



15 ID

with connection for
temperature probes
(7,6 mm I.D.)

REF 60-20-603

15 ID/
22 OD

Ultra light version

autoclavable up to 134°C, Material: PMP, Box 10



10 OD

Standard with Luer
connection (4,0 mm OD)

REF 60-20-300

15 ID



10 OD

with Luer connection (4,0 mm OD) and with
2,0 mm Bronchoscope-/Suction Cap, yellow

REF 60-20-400

15 ID



15 ID/
22 OD

Standard
REF 60-20-500



15 ID/
22 OD

with female Luer Lock
made of metal

REF 60-20-501

Standard

REF 60-20-100



10 OD

10 OD



15 ID/
22 OD



10 OD

10 OD



15 ID/
22 OD

ditto, but with female Luer
Lock made of metal

REF 60-20-101

with 3,0 mm Bronchoscope-/Suction Cap blue,
also suitable for temperature probes

REF 60-20-200



10 OD

10 OD



15 ID/
22 OD



10 OD

10 OD



15 ID/
22 OD

ditto, but with female Luer
Lock Anschluss

REF 60-20-201



10 OD

10 OD



15 ID/
22 OD

with two pediatric catheter mount
tubings with 15,0 mm connectors

REF 65-20-100



10 OD

10 OD



15 ID/
22 OD

with 3,0 mm Bronchoscope-/Suction Cap and two pediatric
catheter mount tubings with 15,0 mm connectors

REF 65-20-200

VBM Medizintechnik GmbH

Einsteinstrasse 1 • DE-72172 Sulz a.N. • Germany

Tel.: +49 7454 / 959610 • Fax: +49 7454 / 959633 • e-mail: info@vbm-medical.de • www.vbm-medical.de

