

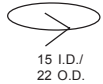
Connectors

Right Angled Y-Connectors, swivelling

autoclavable up to 134°C, Material: PSU

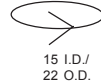
Standard

REF 60-20-100 Box 10



with female Luer Lock made of metal

REF 60-20-101 Box 10



with 3.0 mm bronchoscope/suction cap blue, also suitable for temperature probes

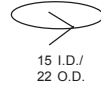
REF 60-20-200 Box 10



with 3.0 mm bronchoscope/suction cap and female Luer Lock

blue, also suitable for temperature probes

REF 60-20-201 Box 10



Right Angled Y-Connectors

autoclavable up to 134°C, Material: PSU

with two catheter mount tubings with 15.0 mm connectors

REF 65-20-100 Box 10



with 3.0 mm bronchoscope/suction cap and two catheter mount tubings with 15.0 mm connectors

REF 65-20-200 Box 10



Catheter Mount Tubings, made of Silicone

autoclavable up to 134°C

Length: 9.0 cm REF 65-00-090 Box 10



Length: 10.5 cm REF 65-00-105 Box 10



Connectors

Right Angled Y-Connectors

Ultra light version

autoclavable up to 134°C, Material: PMP

Standard with Luer connection (4.0 mm O.D.)

REF 60-20-300 Box 10



with female Luer Lock connection

REF 60-20-301 Box 10



with Luer connection
(4.0 mm O.D.) and with 2.0 mm
bronchoscope/suction cap,
yellow

REF 60-20-400 Box 10



Right Angled Y-Connectors

autoclavable up to 134°C, Material: PSU

Standard

REF 60-20-600 Box 10



with connection for pressure measuring (6.0 mm I.D.)

REF 60-20-602 Box 10



with connection for temperature probes (7.6 mm I.D.)

REF 60-20-603 Box 10



Straight Connectors

suitable for REF 60-20-60x,
autoclavable up to 134°C, Material: PSU



REF 60-30-005 Box 10



REF 60-40-005 Box 10

Straight Y-Connectors, swivelling

autoclavable up to 134°C, Material: PSU

Standard

REF 60-20-500 Box 10



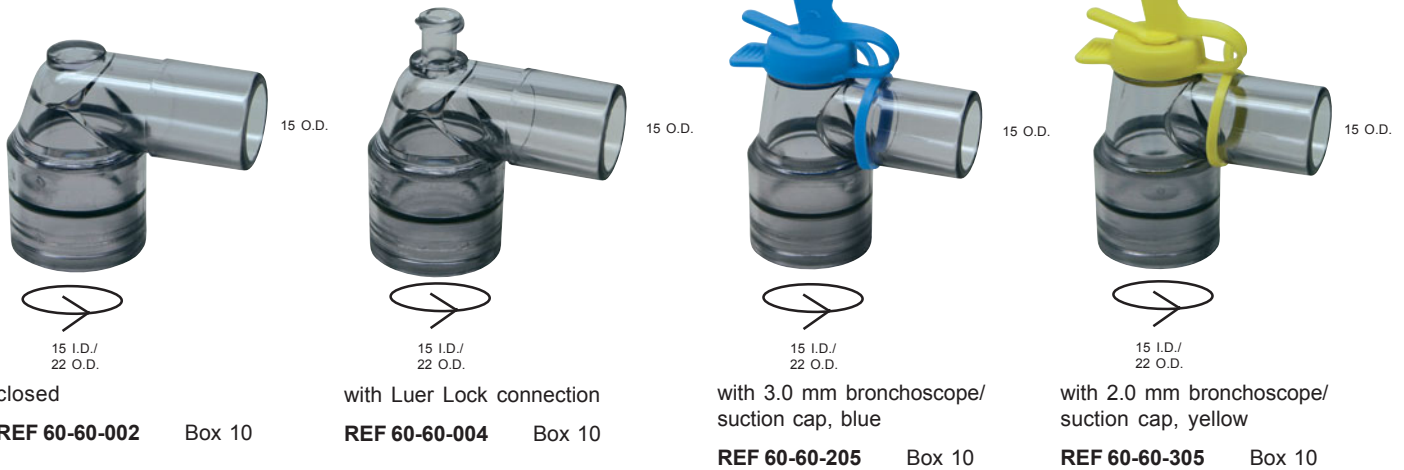
with female Luer Lock made of metal

REF 60-20-501 Box 10



Right Angled Swivel Connectors

autoclavable up to 134°C, Material: PSU



closed

REF 60-60-002 Box 10

with Luer Lock connection

REF 60-60-004 Box 10

with 3.0 mm bronchoscope/
suction cap, blue

REF 60-60-205 Box 10

with 2.0 mm bronchoscope/
suction cap, yellow

REF 60-60-305 Box 10

Right Angled Connectors 90°

autoclavable up to 134°C, Material: PSU

closed

REF 60-12-000 Box 10

ditto, but made of polycarbonate,
autoclavable up to 121°C

REF 60-13-000 Box 10



Uncoupling Wedge

autoclavable up to 134°C

REF 60-60-999 Box 10



Adapter Set in a box

autoclavable up to 134°C

consisting of:

- 10 pcs. Endo Adapters, REF 44-2535-020 to 44-2535-090
- 1 pc. Right Angled Swivel Connector, REF 60-60-005
- 7 pcs. Straight Connectors REF:
 - 60-30-003, 60-30-005,
 - 60-40-003, 60-40-005,
 - 60-50-002, 60-50-003, 60-50-005

REF 60-90-001



Adapter Set in a case

autoclavable up to 134°C

consisting of:

- 11 pcs. Endo Adapters, REF 44-2535-020 to 44-2535-100
- 2 pcs. Right Angled Swivel Connectors, REF 60-60-010, 60-65-004
- 11 pcs. Straight Connectors REF:
 - 60-30-002, 60-30-003, 60-30-005,
 - 60-40-002, 60-40-003, 60-40-005,
 - 60-50-002, 60-50-003, 60-50-005,
 - 60-12-110, 60-12-200
- 1 pc. Right Angled Connector 90°, REF 60-12-000
- 1 pc. Uncoupling Wedge, REF 60-60-999

REF 60-91-001

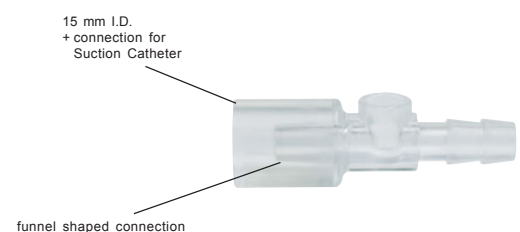


Meconium Aspirator

Material: PC, for single use

- 15 mm I.D. connection allows direct connection to the ET Tube for tracheal suctioning of aspirated meconium
- funnel shaped connection allows connection of a standard suction catheter for suctioning of meconium in mouth and pharynx





REF 49-30-000 Box 10







Connectors

Straight Connectors



autoclavable up to 134°C, Material: PSU




| | | | | |
|---------------------|---|-----------|----------------------|--------|
| 22 I.D. |  | 9-11 O.D. | REF 60-30-002 | Box 10 |
| 15 I.D./ 22 O.D. |  | 9-11 O.D. | 60-30-003 | Box 10 |
| 15 O.D. |  | 9-11 O.D. | 60-30-005 | Box 10 |
| 15 I.D. |  | 9-11 O.D. | 60-30-006 | Box 10 |

| | | | | |
|---------------------|--|------------|----------------------|--------|
| 22 I.D. |  | 11-13 O.D. | REF 60-40-002 | Box 10 |
| 15 I.D./ 22 O.D. |  | 11-13 O.D. | 60-40-003 | Box 10 |
| 15 O.D. |  | 11-13 O.D. | 60-40-005 | Box 10 |
| 15 I.D. |  | 11-13 O.D. | 60-40-006 | Box 10 |

Straight Connectors



autoclavable up to 134°C, Material: PSU

| | | | | |
|---------------------|---|---------------------|----------------------|--------|
| 15 I.D./ 22 O.D. |  | 15 I.D./ 22 O.D. | REF 60-12-110 | Box 10 |
| 15 I.D./ 22 O.D. |  | 22 I.D. | REF 60-12-200 | Box 10 |

| | | | | |
|---------|--|---------------------|----------------------|--------|
| 15 O.D. |  | 22 I.D. | REF 60-50-002 | Box 10 |
| 15 O.D. |  | 15 I.D./ 22 O.D. | REF 60-50-003 | Box 10 |
| 15 O.D. |  | 15 O.D. | REF 60-50-005 | Box 10 |

Straight Connectors

with temperature port
autoclavable up to 134°C, Material: PSU

| | | | | |
|-----------|---|-----------|----------------------|--------|
| 15 O.D. |  | 9-11 O.D. | REF 60-20-703 | Box 10 |
| 9-11 O.D. |  | 9-11 O.D. | REF 60-20-713 | Box 10 |

15 mm Endo-Adapters with minimal dead space

autoclavable up to 134°C

Standard

Material: PSU

| I.D. | REF | Box |
|--------|--------------------|-----|
| 2.0 mm | 44-2535-020 | 10 |
| 2.5 mm | 44-2535-025 | 10 |
| 3.0 mm | 44-2535-030 | 10 |
| 3.5 mm | 44-2535-035 | 10 |
| 4.0 mm | 44-2535-040 | 10 |
| 5.0 mm | 44-2535-050 | 10 |
| 6.0 mm | 44-2535-060 | 10 |



with Luer Lock sideport for pressure and gas measuring, sterile

Material: PMP

| I.D. | REF | Box |
|--------|----------------------|-----|
| 2.0 mm | 44-3500-020-1 | 10 |
| 2.5 mm | 44-3500-025-1 | 10 |
| 3.0 mm | 44-3500-030-1 | 10 |
| 3.5 mm | 44-3500-035-1 | 10 |
| 4.0 mm | 44-3500-040-1 | 10 |
| 5.0 mm | 44-3500-050-1 | 10 |
| 6.0 mm | 44-3500-060-1 | 10 |



further sizes (up to 10.0 mm) available