

Respiration Tubings

9 mm Respiration Tubings made of Silicone

Color: light green (coil), clear (tube), autoclavable up to 134°C



with 10 mm cuff at both ends

Length	REF	Box
25 cm	66-10-025	1
45 cm	66-10-045	1
60 cm	66-10-060	1
85 cm	66-10-085	1
110 cm	66-10-110	1
130 cm	66-10-130	1
150 cm	66-10-150	1
170 cm	—	—
200 cm	66-10-200	1



with 10 mm / 22 cuffs

Length	REF	Box
25 cm	66-11-025	1
45 cm	66-11-045	1
60 cm	66-11-060	1
85 cm	66-11-085	1
110 cm	66-11-110	1
130 cm	66-11-130	1
150 cm	66-11-150	1
170 cm	66-11-170	1
200 cm	66-11-200	1



with 22 mm cuff at both ends

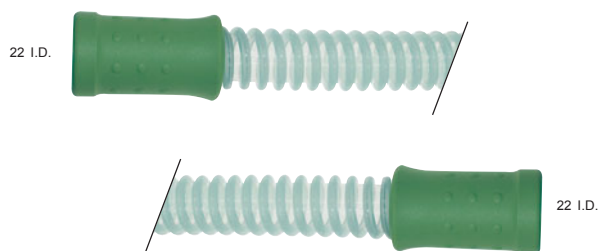
Length	REF	Box
25 cm	66-12-025	1
45 cm	—	—
60 cm	66-12-060	1
85 cm	66-12-085	1
110 cm	66-12-110	1
130 cm	66-12-130	1
150 cm	66-12-150	1
170 cm	66-12-170	1
200 cm	66-12-200	1

16 mm “Lightweight Tubings“ made of Silicone

Color: light green (coil), clear (tube), autoclavable up to 134°C

- light weight due to smaller tube and thinner coil
- high stability
- longer lasting than autoclavable plastic tubings

Length	REF	Box
30 cm	69-16-030	1
45 cm	69-16-045	1
60 cm	69-16-060	1
90 cm	69-16-090	1
110 cm	69-16-110	1
130 cm	69-16-130	1
150 cm	69-16-150	1
180 cm	69-16-180	1
200 cm	69-16-200	1

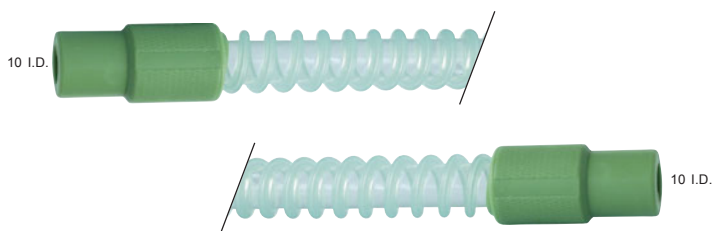


9 mm “Lightweight Tubings“ made of Silicone

Color: light green (coil), clear (tube), autoclavable up to 134°C

- light weight due to thinner coil
- high stability
- longer lasting than autoclavable plastic tubings

Length	REF	Box
25 cm	69-10-025	1
45 cm	69-10-045	1
60 cm	69-10-060	1
90 cm	69-10-090	1
110 cm	69-10-110	1
130 cm	69-10-130	1
150 cm	69-10-150	1
170 cm	69-10-170	1
200 cm	69-10-200	1



Anesthetic System

autoclavable up to 134°C

consisting of:

- 2 x 9.0 mm Silicone Respiration Tubing REF 66-11-110
- 1 x 9.0 mm Silicone Respiration Tubing REF 66-12-110
- 1 x Right Angled Y-Connector REF 60-20-100
- 1 x Silicone Rebreathing Bag, 500 ml REF 66-00-011
- 1 x Straight Connector REF 60-12-110

REF 62-11-200 Box 1



Rebreathing Bags / Water Traps / Anesthetic Tube Holders

Rebreathing Bags made of Silicone

clear, with 22 mm cuff and loop
autoclavable up to 134°C

Standard

Size	REF	Box
500 ml	66-00-011	1
1000 ml	66-00-015	1
1500 ml	66-00-012	1



with open tube connection

Size	REF	Box
500 ml	66-00-041	1
1000 ml	66-00-045	1
1500 ml	66-00-042	1



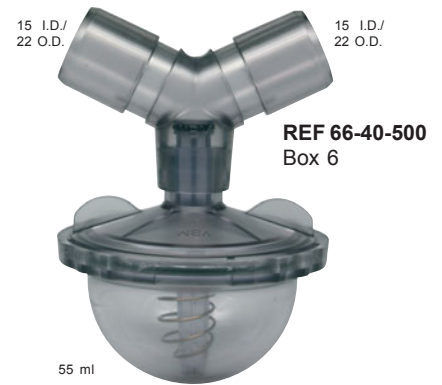
with 5 mm hole

Size	REF	Box
500 ml	66-00-441	1
1000 ml	66-00-445	1
1500 ml	66-00-442	1



Water Traps

autoclavable up to 134°C, Material: PSU



Anesthetic Tube Holders

complete with flexible rod and universal clamp, adjustable in height, length of support arm: 38 cm

available with following attachment devices for respiration tubings:



Breathing Circuits

Jackson Rees Systems

autoclavable up to 134°C

Jackson Rees System I

consisting of:

- Silicone Rebreathing Bag 500 ml with open tube connection and cap REF 66-00-141
- Connector 22 mm O.D. to 22 mm O.D. REF 60-12-110
- Silicone Tube REF 64-00-230
- T-Connector REF 67-20-005
- Right Angled Swivel Connector REF 60-60-002
- Connector 22 mm I.D. REF 60-30-002
- O₂ Tubing made of Silicone, Length: 1.80 m REF 68-070-20

REF 67-12-000 Box 1



Jackson Rees System I

similar REF 67-12-000, but with Silicone Rebreathing Bag 500 ml with hole (REF 66-00-441)

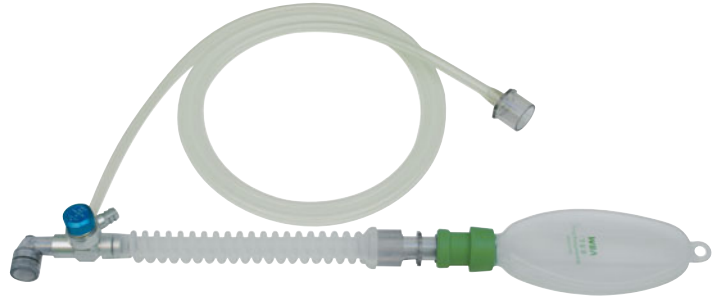
REF 67-11-000 Box 1

Jackson Rees System II

consisting of:

- Silicone Rebreathing Bag 500 ml REF 66-00-011
- Connector 22 mm O.D. to 22 mm O.D. REF 60-12-110
- Silicone Tube REF 64-00-230
- Jackson Rees Valve REF 67-10-002
- Right Angled Swivel Connector REF 60-60-002
- Connector 22 mm I.D. REF 60-30-002
- O₂ Tubing made of Silicone, Length: 1.80 m REF 68-070-20

REF 67-12-100 Box 1

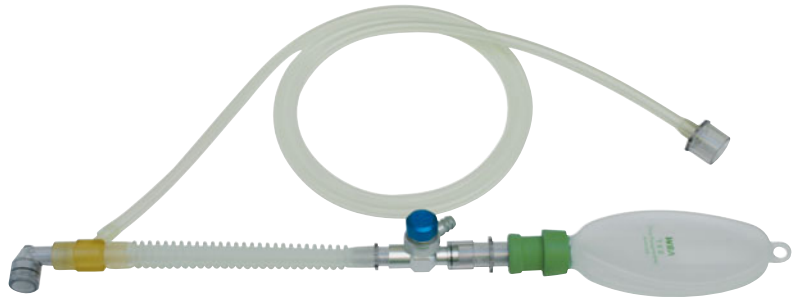


Jackson Rees System III

consisting of:

- Silicone Rebreathing Bag 500 ml REF 66-00-011
- Connector 22 mm O.D. to 22 mm O.D. REF 60-12-110
- Jackson Rees Valve REF 67-10-222
- Connector REF 60-40-005
- Silicone Tube REF 65-00-200
- T-Connector REF 67-20-005
- Right Angled Swivel Connector REF 60-60-002
- Connector 22 mm I.D. REF 60-30-002
- O₂ Tubing made of Silicone, Length: 1.80 m REF 68-070-20

REF 67-12-200 Box 1



Jackson Rees System IV

consisting of:

- Silicone Rebreathing Bag 500 ml REF 66-00-011
- Connector 22 mm O.D. to 22 mm O.D. REF 60-12-110
- Jackson Rees Valve REF 67-10-002
- Right Angled Swivel Connector REF 60-60-002
- Connector 22 mm I.D. REF 60-30-002
- O₂ Tubing made of Silicone, Length: 1.80 m REF 68-070-20

REF 67-12-300 Box 1



Jackson Rees Expiratory Valves

made of metal, autoclavable up to 134°C

with O₂ connection

REF 67-10-002
Box 1



without O₂ connection

REF 67-10-222
Box 1



Ayres T-Pieces

made of PSU, autoclavable up to 134°C

90° **REF 67-20-004** Box 1

45° **REF 67-20-005** Box 1

